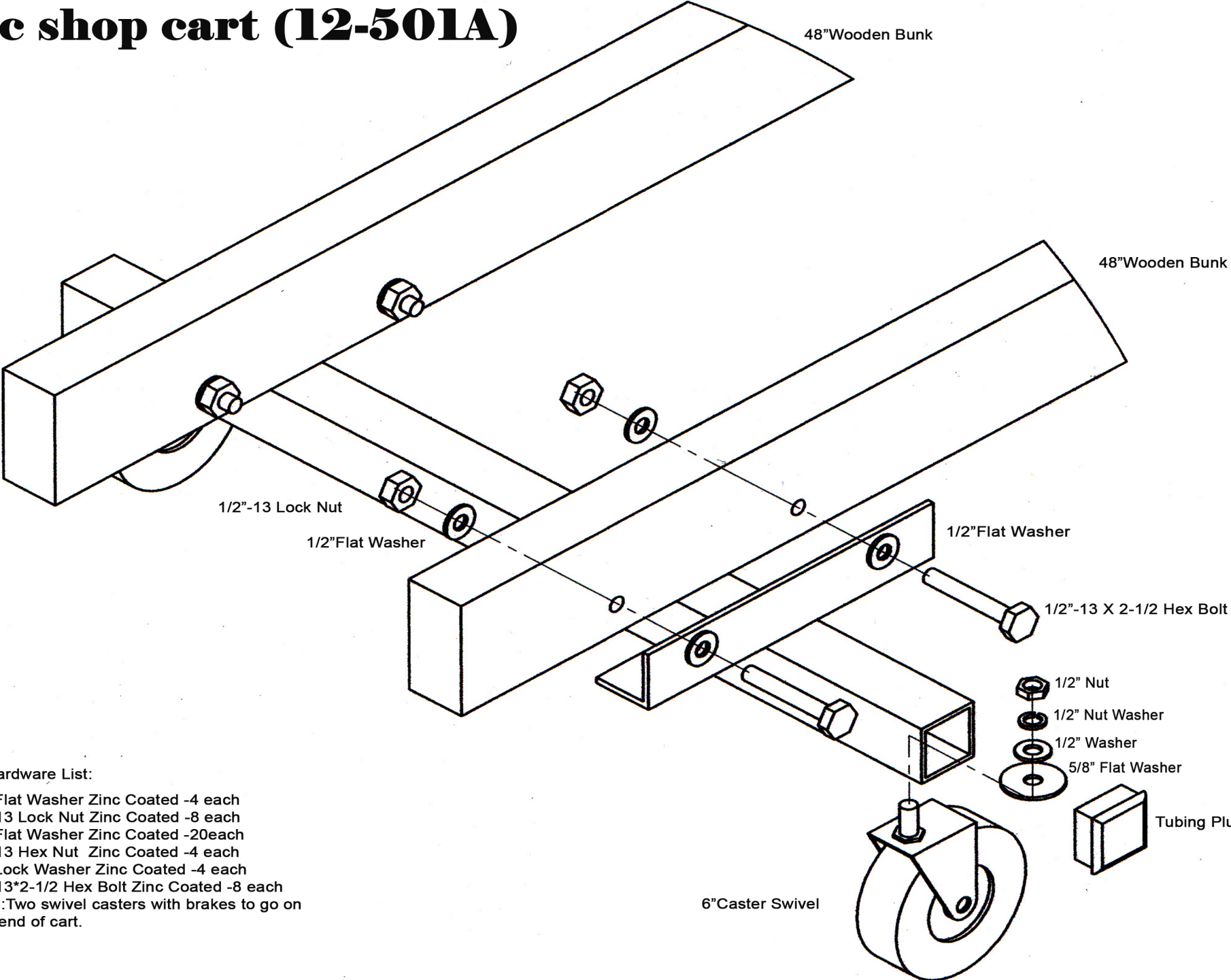


pwc shop cart (12-501A)



Hardware List:

- 5/8 Flat Washer Zinc Coated -4 each
 - 1/2-13 Lock Nut Zinc Coated -8 each
 - 1/2 Flat Washer Zinc Coated -20each
 - 1/2-13 Hex Nut Zinc Coated -4 each
 - 1/2 Lock Washer Zinc Coated -4 each
 - 1/2-13*2-1/2 Hex Bolt Zinc Coated -8 each
- Note: Two swivel casters with brakes to go on one end of cart.